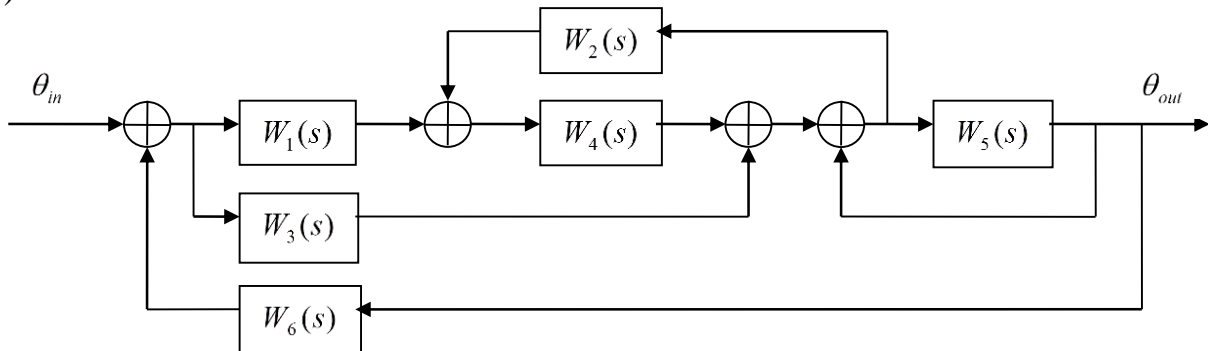


Topic: Algebra of structural transformations

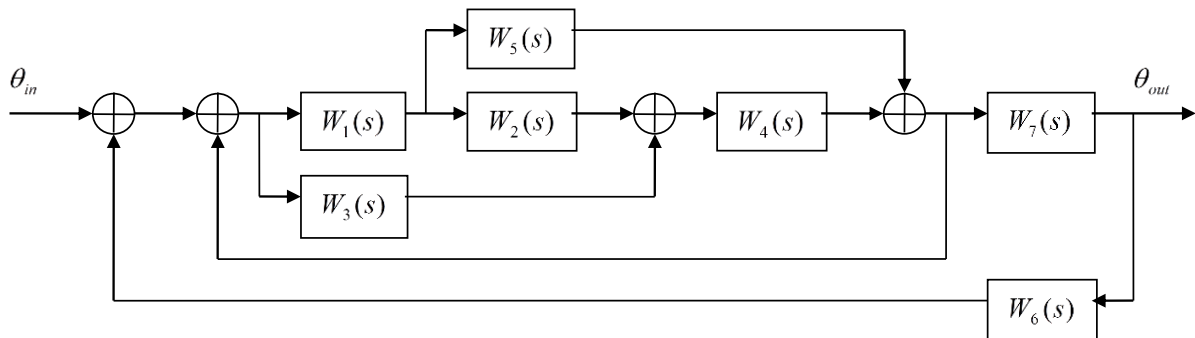
Task You have the transfer functions of separate links and communication between them. Receive the transfer function of linear dynamic system as a whole.

Variants:

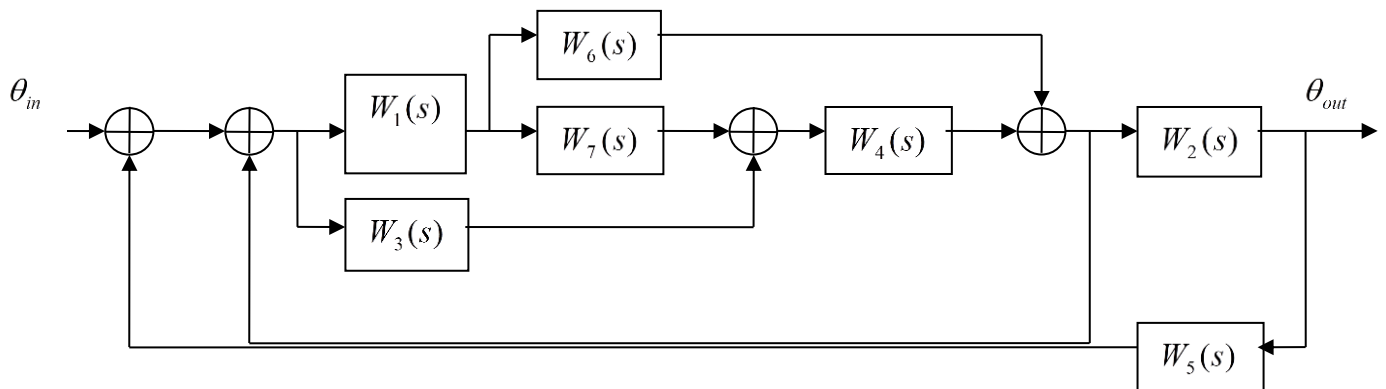
1)

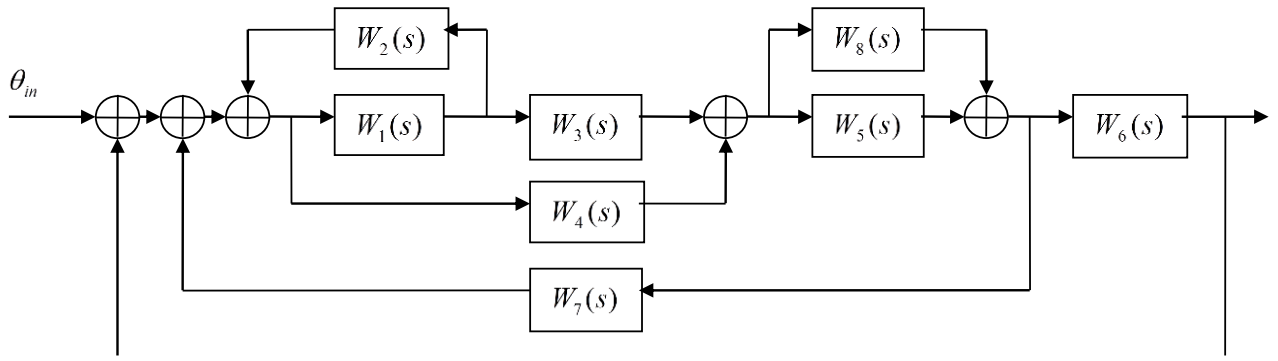


2)

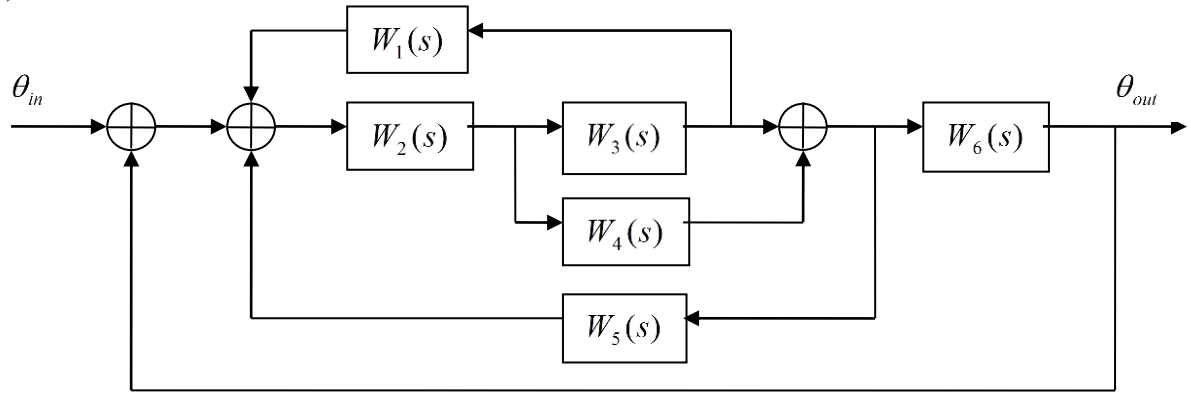


3)

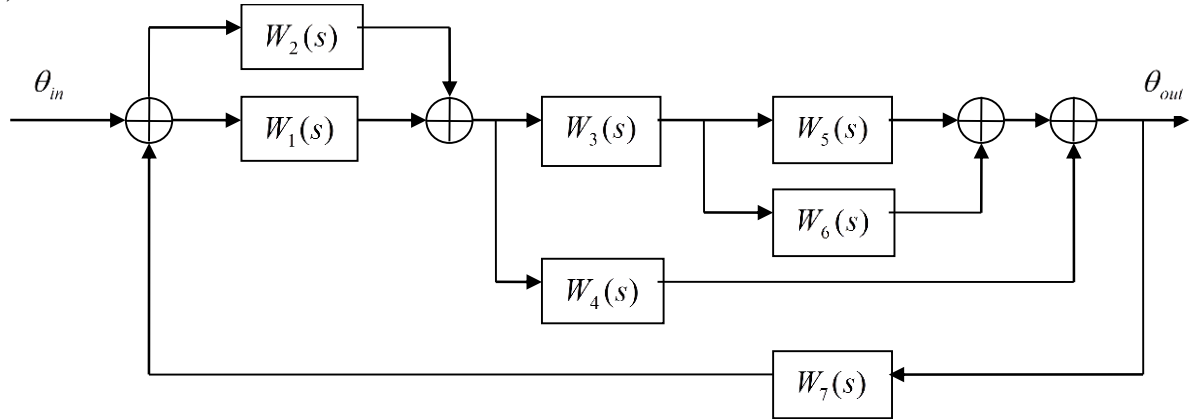




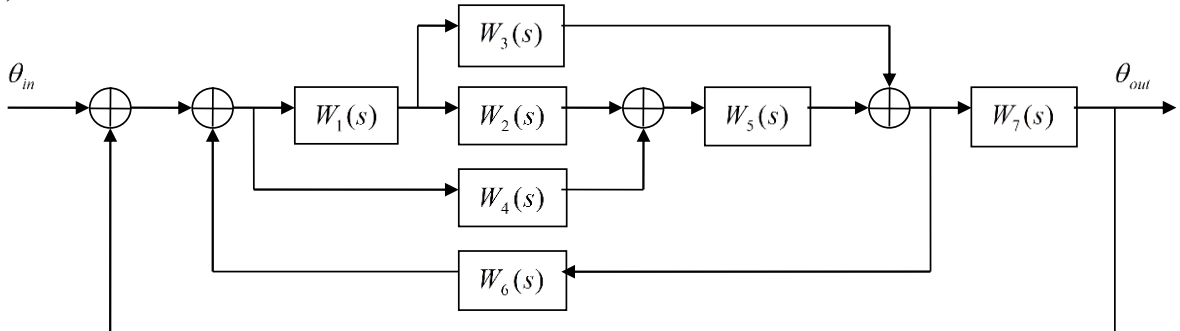
4)



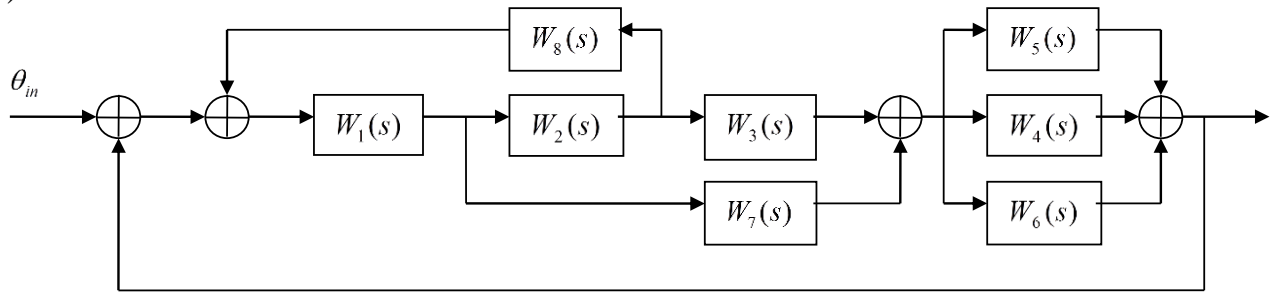
5)



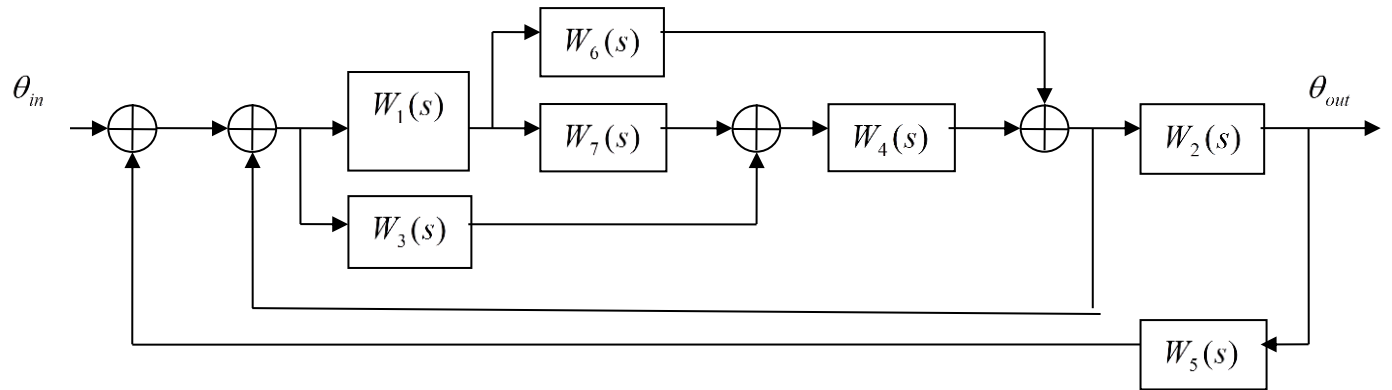
6)



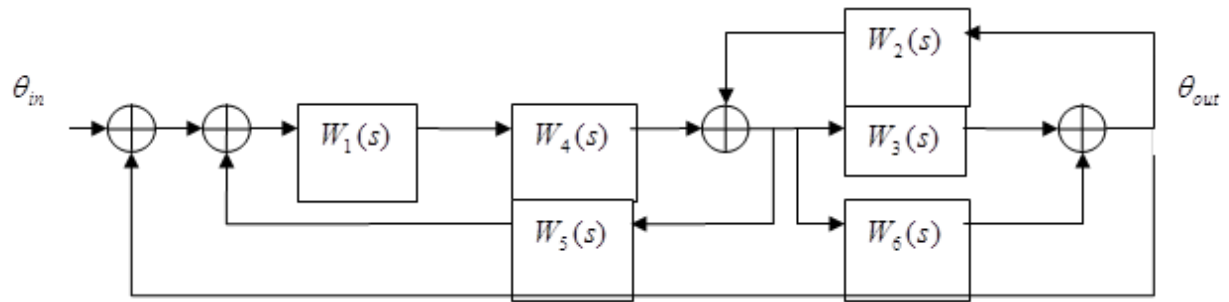
7)



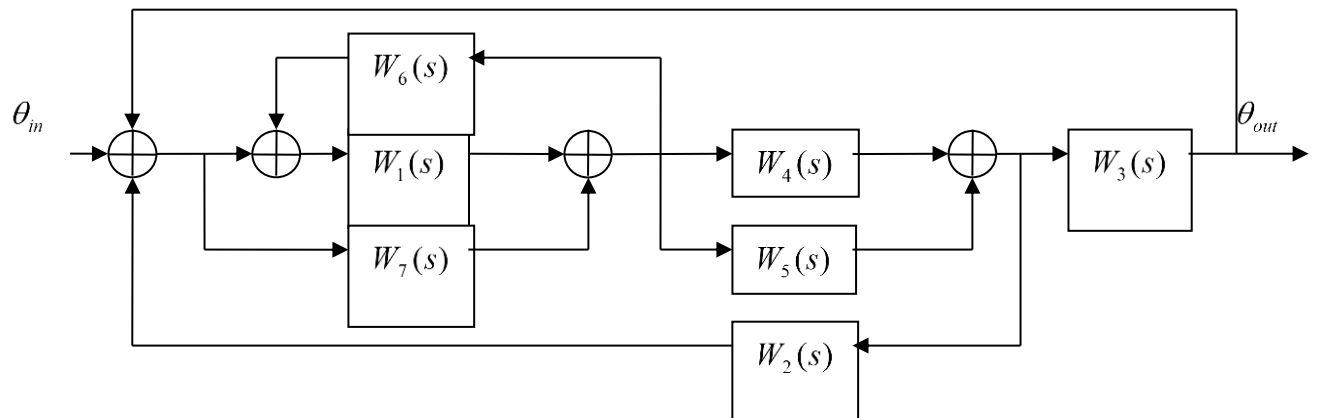
8)



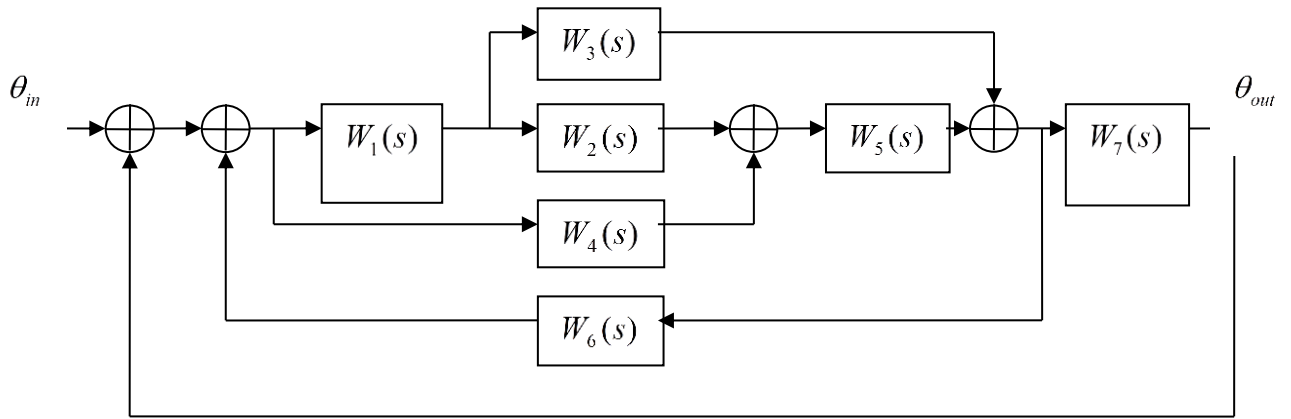
9)



10)



11)



12)

